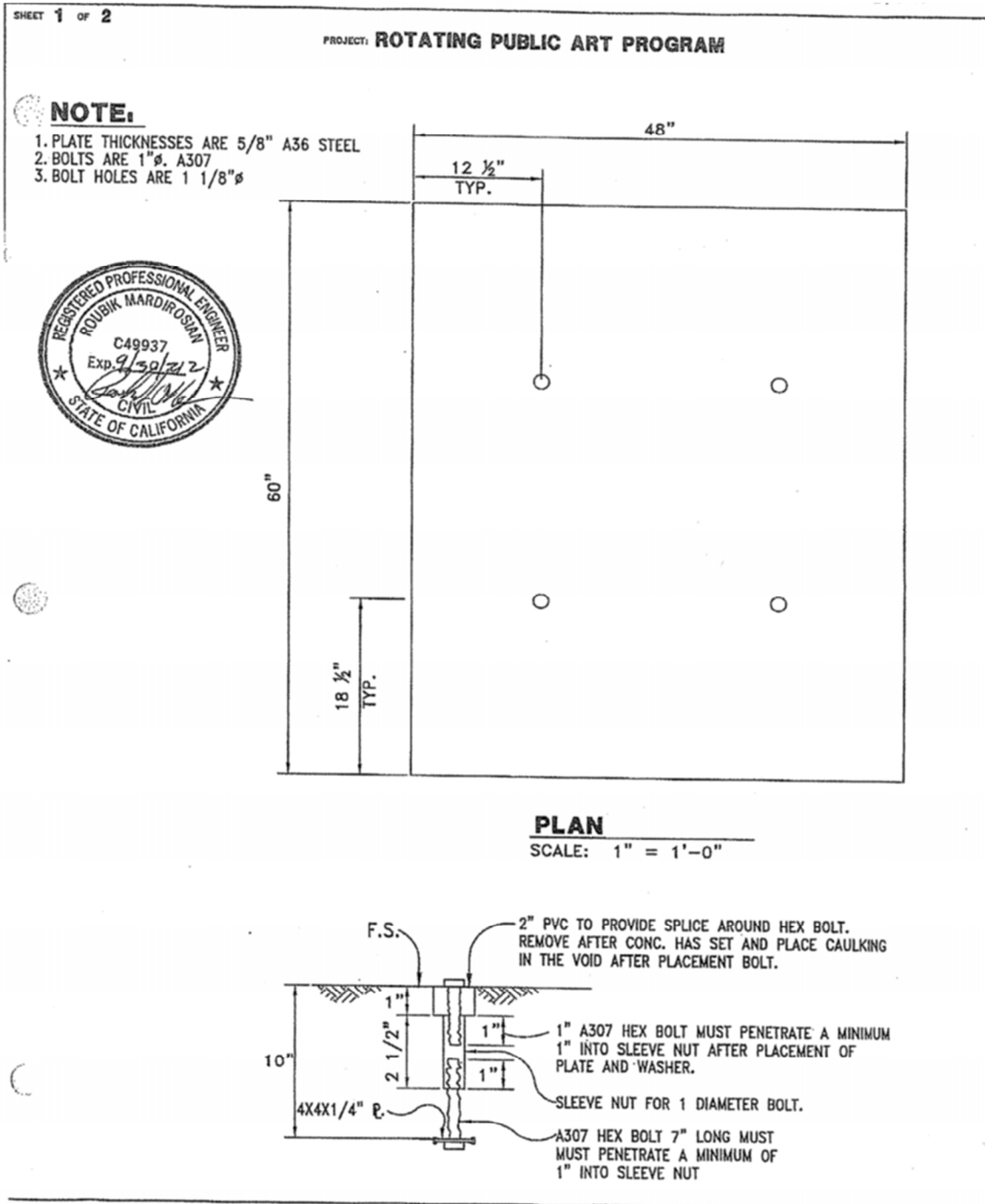
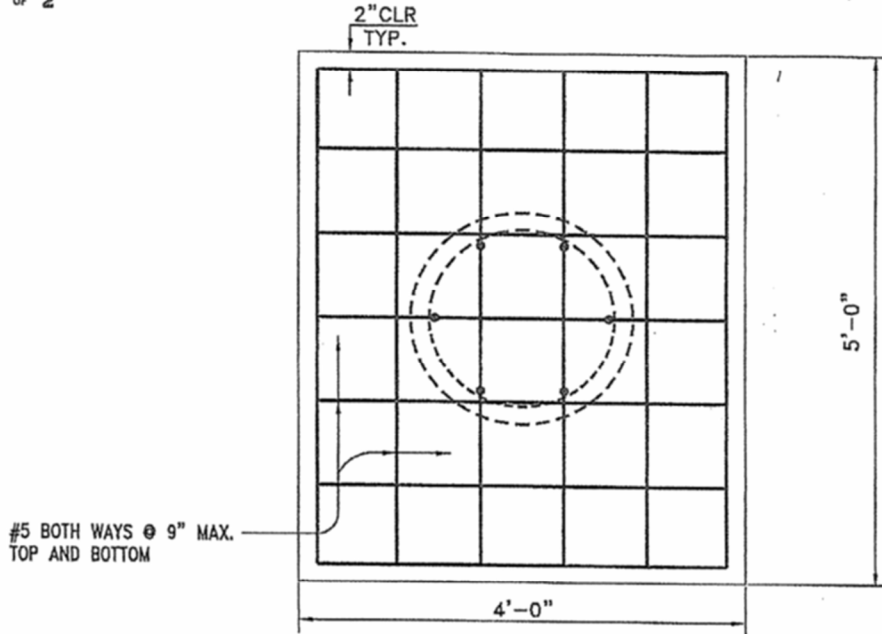


### Artwork Footing & Attachment Point

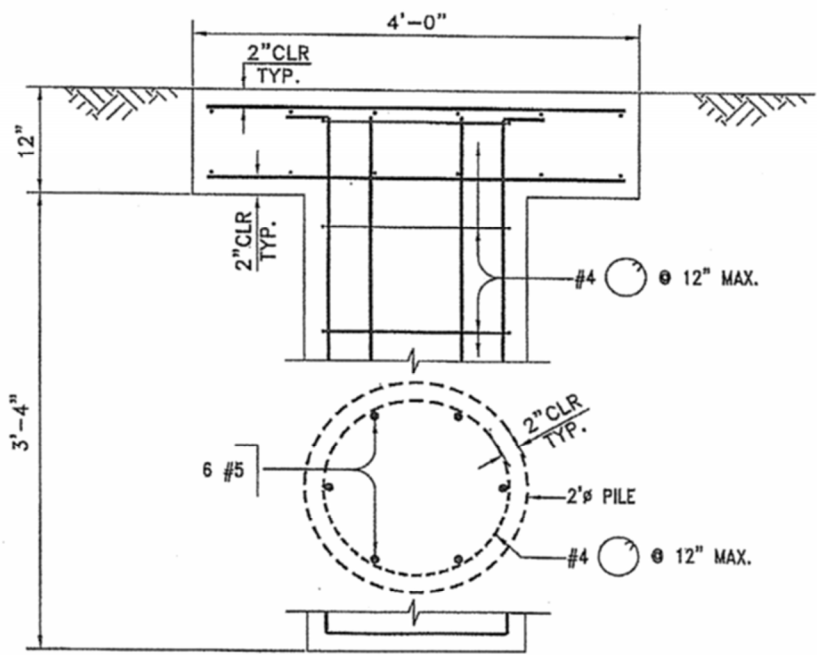
With support from City Staff, the artist will be responsible for ensuring artworks fit these attachment points once final selections have been made.



SHEET 2 OF 2



**PLAN**  
 SCALE: 3/4" = 1'-0"



**ELEV.**  
 SCALE: 3/4" = 1'-0"