

HARDSCAPE LEGEND

Symbol	Description	DETAIL
[Hatched Box]	BENCH (RECYCLED PLASTIC)	C/C8.16
[Circle]	CONCRETE STOOL	F/C8.16
[Hatched Box]	PRECAST CONCRETE SEATWALL	A/C8.13
[Circle]	NEST BENCH	B/C8.13
[Circle]	ELECTRICAL OUTLET PEDESTAL	E/C8.17
[Square]	WASTE/RECYCLE RECEPTACLE	A/C8.16
[Circle]	PHONE CHARGING PEDESTAL	D/C8.17
[Circle]	DRINKING FOUNTAIN	A/C8.17
[Hatched Box]	BIKE RACK	B/C8.16
[Circle]	FIXED BOLLARD	C/C8.17
[Circle]	REMOVABLE BOLLARD	B/C8.17
[Square]	FUTURE VEHICLE CHARGING STATION	
[Hatched Box]	RE-SURFACED ASPHALT PAVEMENT	C6.12
[Dotted Box]	UNCOLORED CONCRETE	C6.12
[Hatched Box]	PEDESTRIAN PAVERS	B/C8.10
[Hatched Box]	DECORATIVE ASPHALT	A/C8.10
[Hatched Box]	INTEGRAL COLOR CONCRETE 'C'	B/C8.11
[Hatched Box]	INTEGRAL COLOR CONCRETE 'B'	B/C8.11
[Hatched Box]	INTEGRAL COLOR CONCRETE 'A'	B/C8.11
[Hatched Box]	GLASS PAVERS	C/C8.11
[Hatched Box]	SYNTHETIC TURF	C/C8.13

LEAVE BLANK - FOR CITY USE ONLY

THIS ITEM HAS BEEN ELECTRONICALLY SIGNED AND SEALED BY STEFANO F. VIOLA, P.E., ON 7/21/2022 USING A 2048 BIT DIGITAL SIGNATURE DEVICE.

PRINTED COPIES OF THIS DOCUMENT ARE NOT CONSIDERED VALID UNLESS THE SEAL AND THE SIGNATURE AUTHENTICATION CODE MUST BE VERIFIED ON ALL ELECTRONIC COPIES.

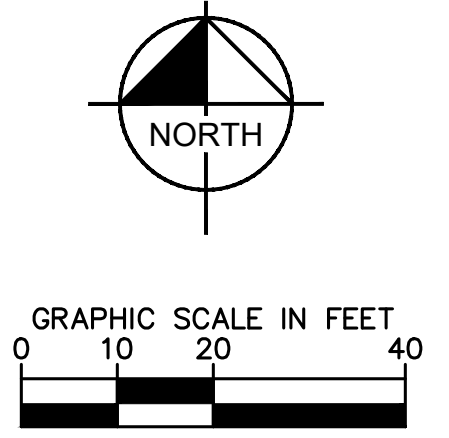
811

CALL 2 WORKING DAYS BEFORE YOU DIG

IT'S THE LAW! DIAL 811

Know what's below. Call before you dig.

SUNSHINE STATE ONE CALL OF FLORIDA, INC.



No.	REVISIONS	DATE	BY
	BLDG. DEPT. SUBMITTAL #2	03/30/21	
	ENGINEERING SUBMITTAL #4	02/02/22	
	BLDG. DEPT. SUBMITTAL #3	02/02/22	
	ENGINEERING SUBMITTAL #5	05/20/22	
	BLDG. DEPT. SUBMITTAL #4	05/20/22	
	ENGINEERING SUBMITTAL #5	07/15/22	

Kimley»Horn

© 2022 KIMLEY-HORN AND ASSOCIATES, INC.
1920 WEKIVA WAY SUITE 200, WEST PALM BEACH, FL 33411
PHONE: 561-845-0665 FAX: 561-863-8175
WWW.KIMLEY-HORN.COM CA 00000696

SCALE AS SHOWN

DESIGNED BY JH

DRAWN BY TH

CHECKED BY JH

VILLAGE ART PLAZA

PREPARED FOR
CITY OF SUNRISE

2260 NW 68TH AVENUE SUNRISE, FL 33313

FL

HARDSCAPE PLAN

SEAL

STEFANO F. VIOLA, P.E.

DATE: JULY 2022

FL LICENSE NUMBER

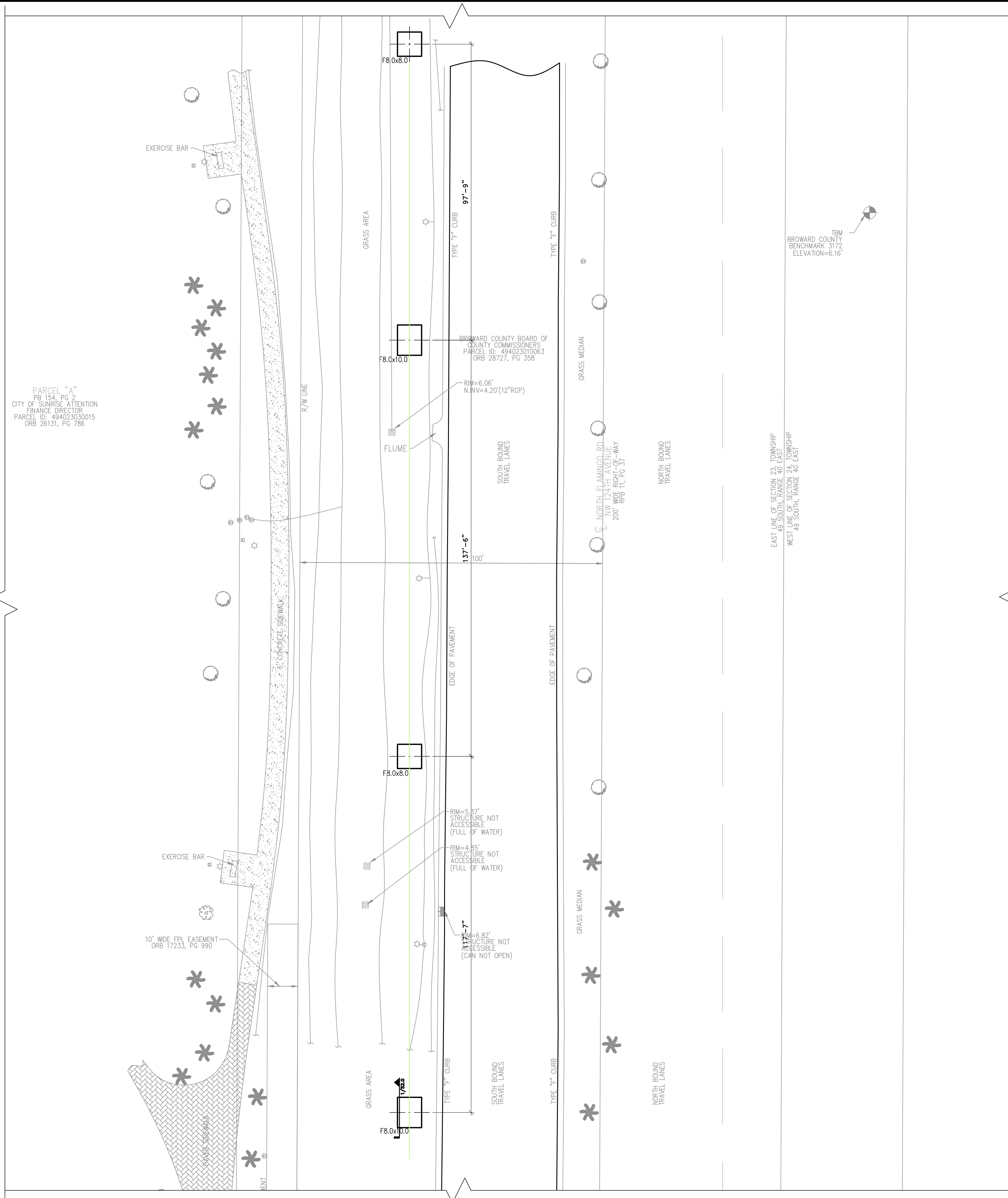
74655

DATE: 07/13/22

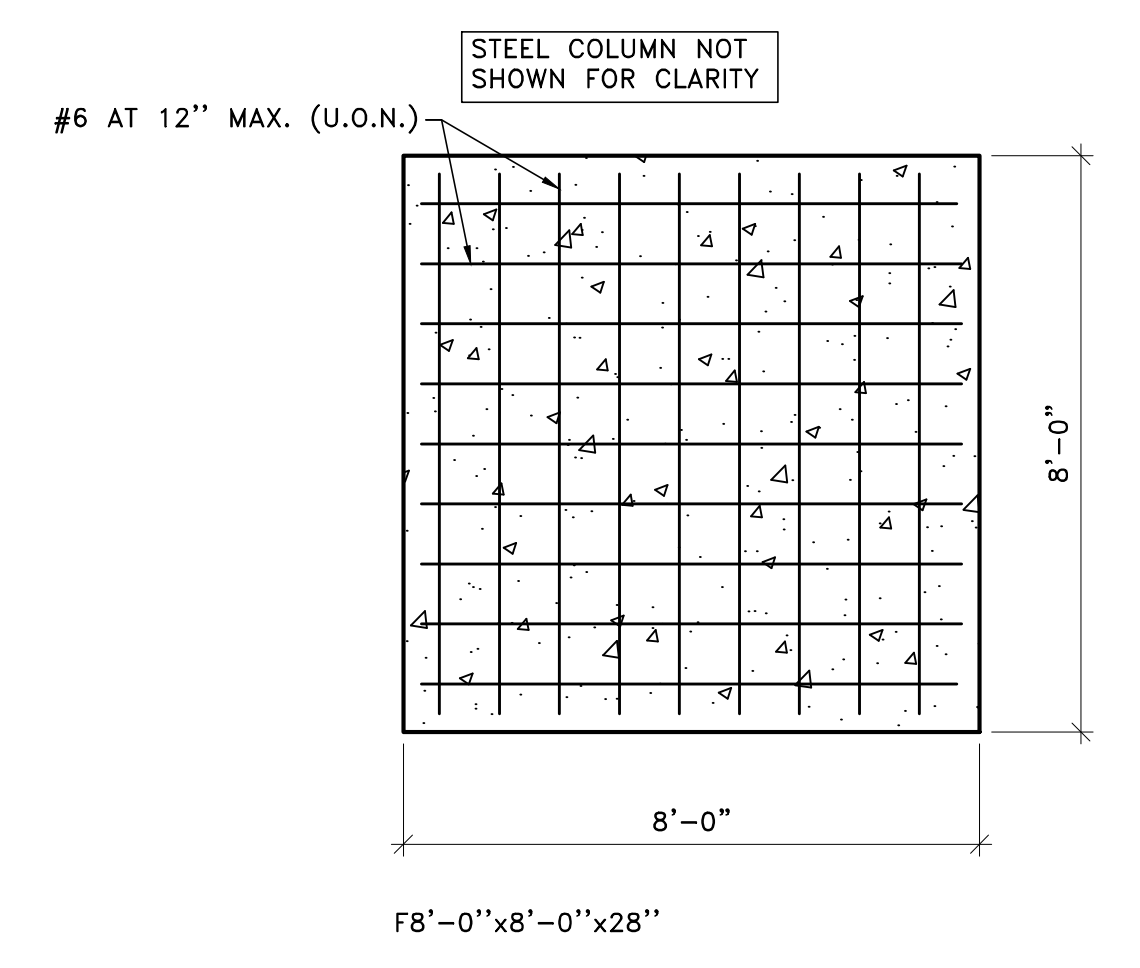
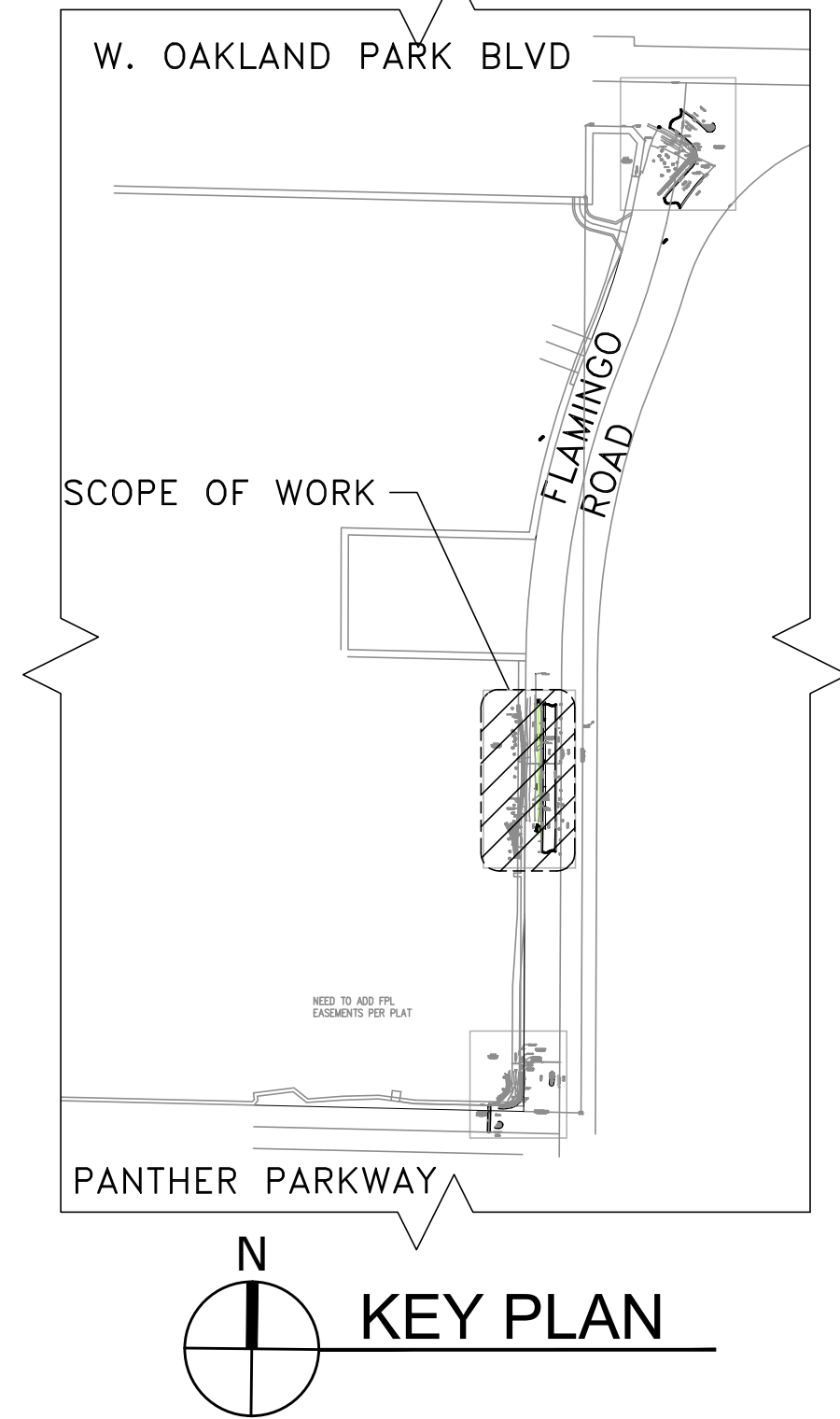
KHA PROJECT

140156008

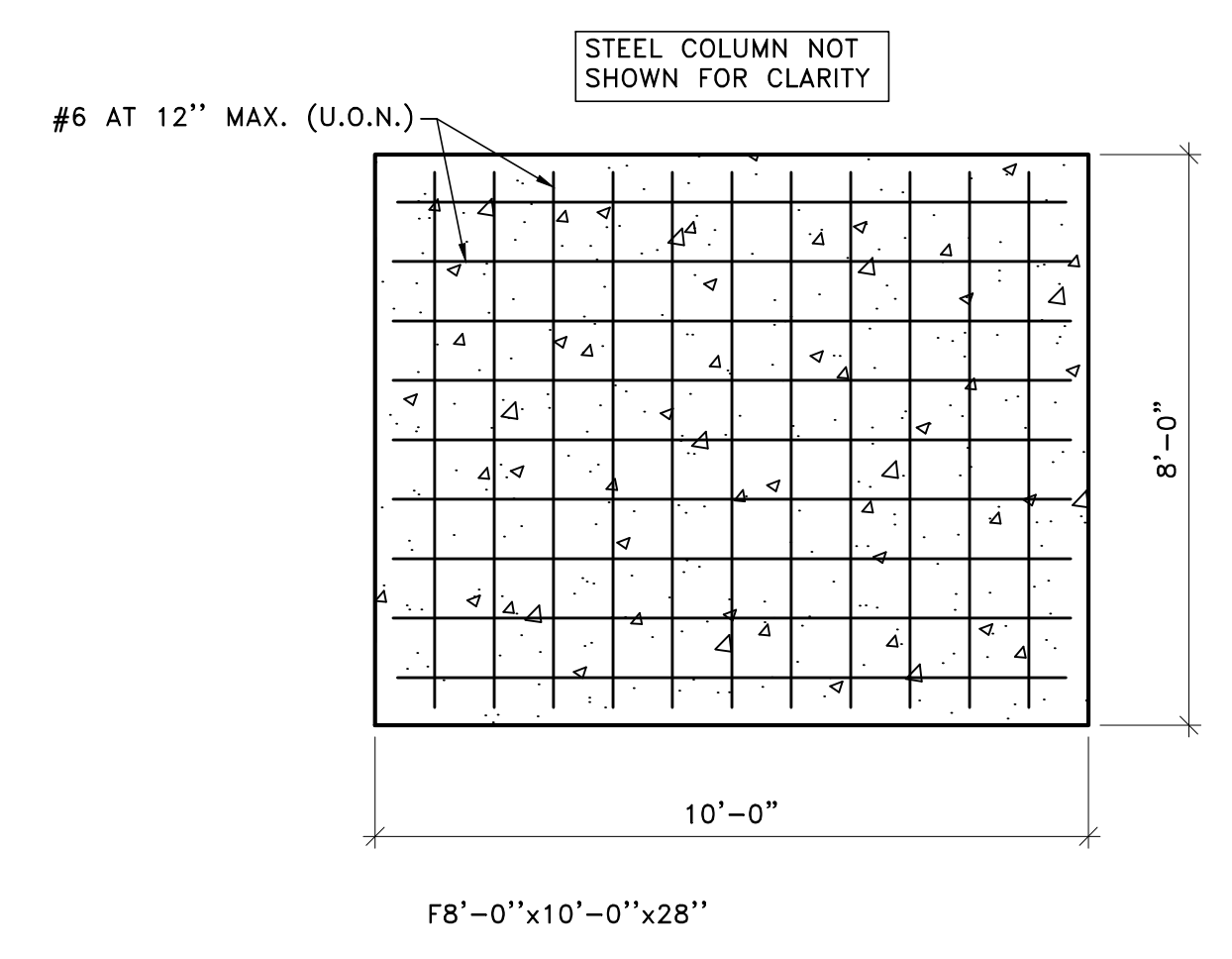
C8.00



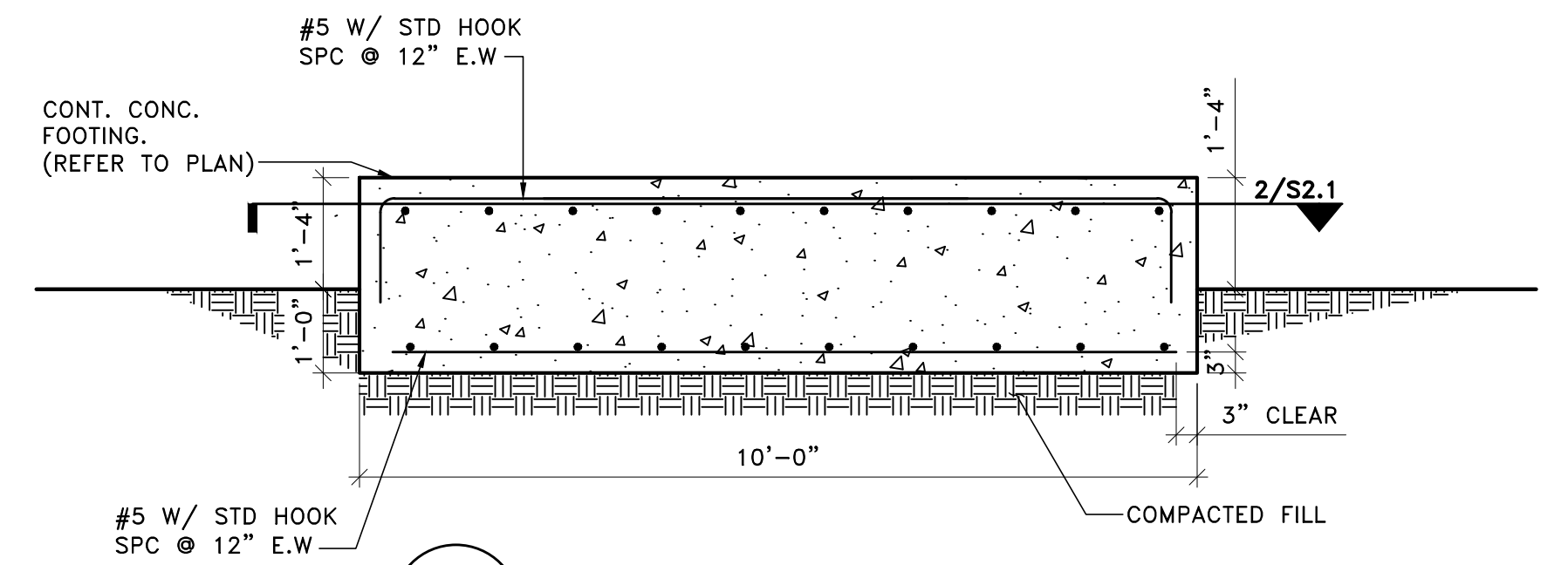
SCOPE OF WORK



3 FOOTING REIN. LAYOUT
SCALE: 3/8" = 1'-0"



2 FOOTING REIN. LAYOUT
SCALE: 3/8" = 1'-0"



1 SECTION
SCALE: 1/2" = 1'-0"

LEAVE BLANK - FOR CITY USE ONLY

FILE LOCATION: \\MIA-FS1\BCC FILES\PROJECTS\MIA\BUILDING STRUCTURES\1020165.07 FLAMINGO ROAD ART\4-DRAWINGS\S2.1.DWG

DESIGN BY: C.A.	REVISIONS			
	No.	REV	DESCRIPTION	BY DATE
DRAWN BY: R.P.				
CHECKED BY: S.G.				
SCALE:				
AS SHOWN				

bc
engineering
6401 SW 87 AVE, SUITE 200
MIAMI, Florida 33173
Phone: (305) 670-2350
Fax: (305) 670-2351
Certificate of Authorization No. 7184



UTILITIES DEPARTMENT
777 SAWGRASS CORPORATE PKWY
SUNRISE, FL 33325

FLAMINGO ROAD & W. OAKLAND BLVD
INTERSECTION PUBLIC ART

SUNRISE, FLORIDA

SEAL
DATE: 08/29/23
DRAWING NO. S2.1
SHEET NO. 4 OF 12
CHRISTIAN AQUINO, P.E., S.T.
FLORIDA LICENSE NO. 74647
PROFESSIONAL ENGINEER