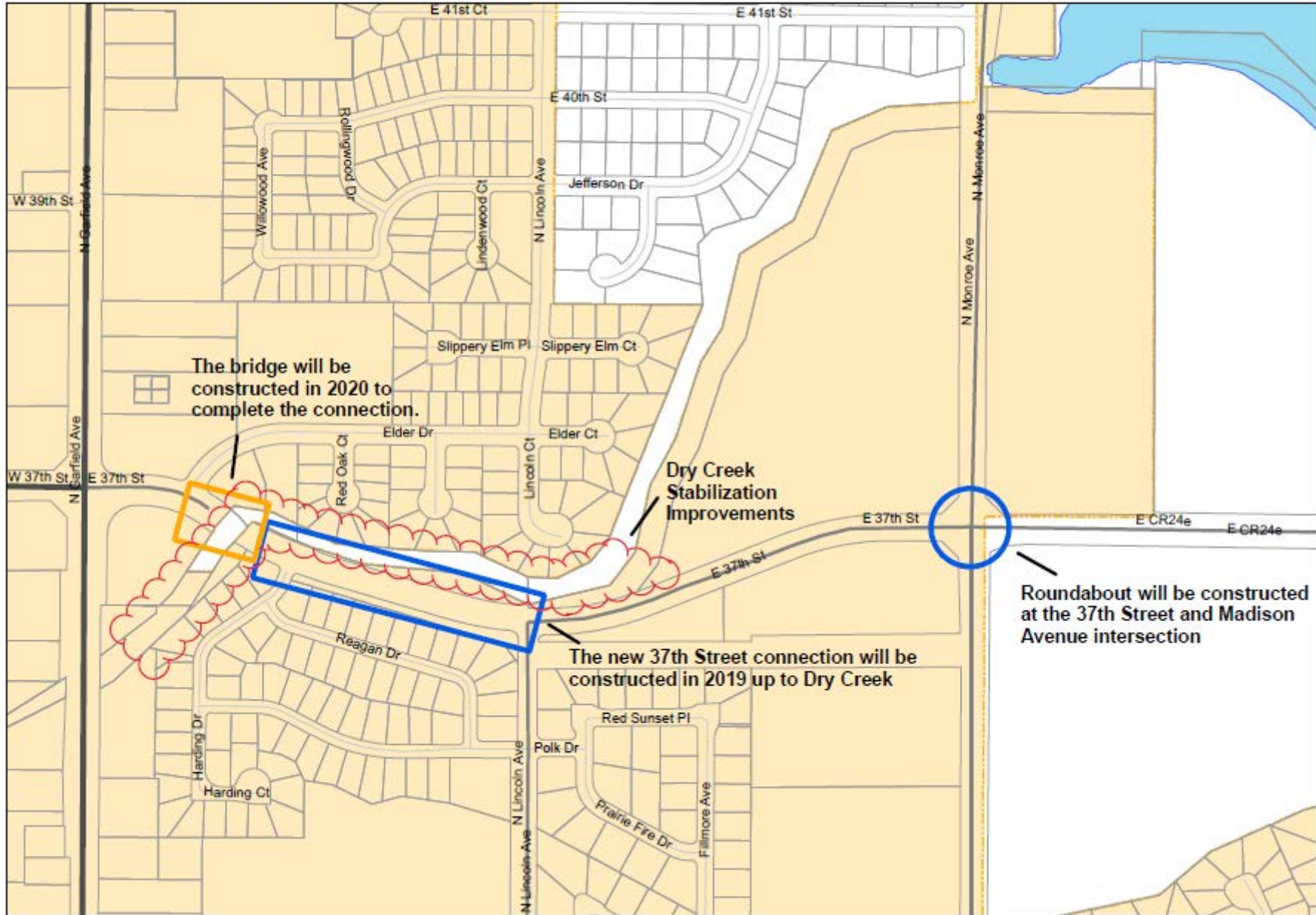
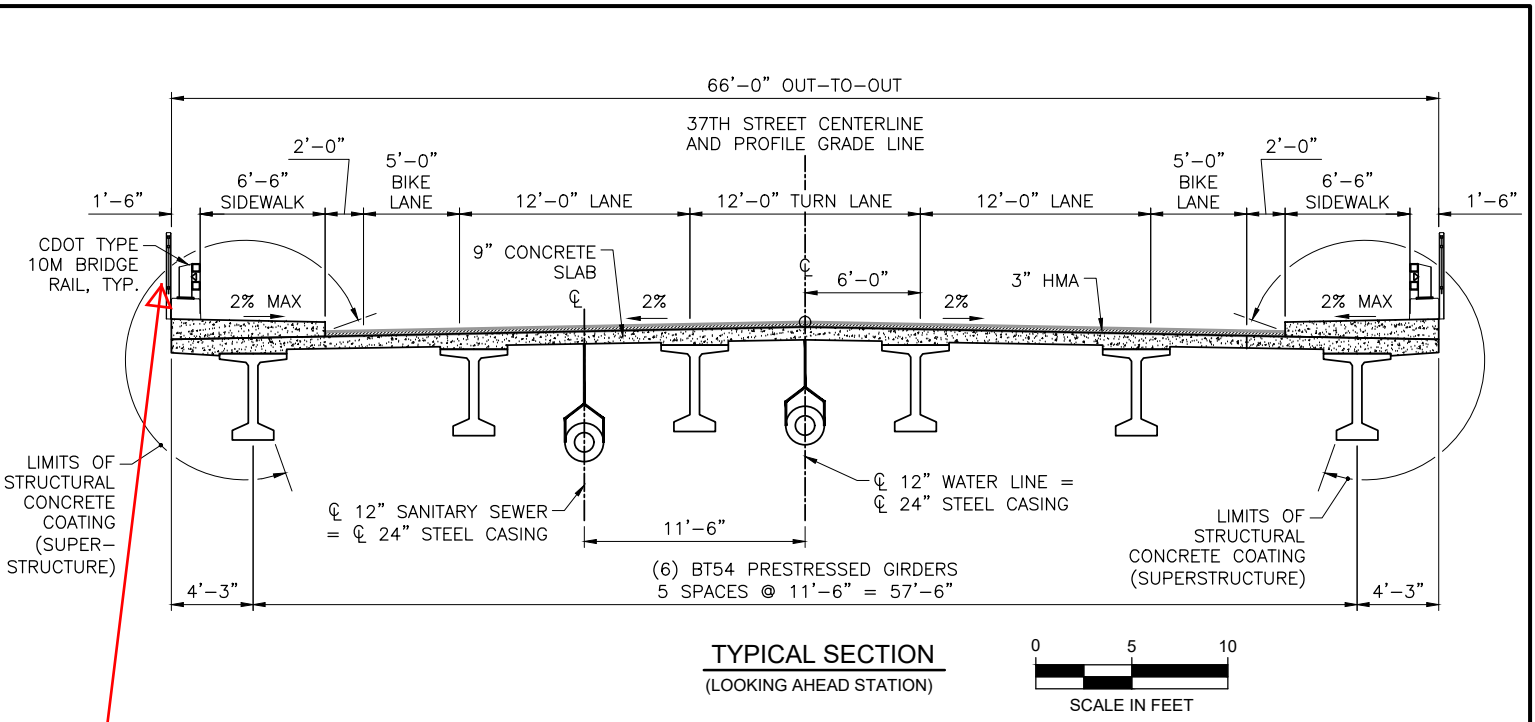
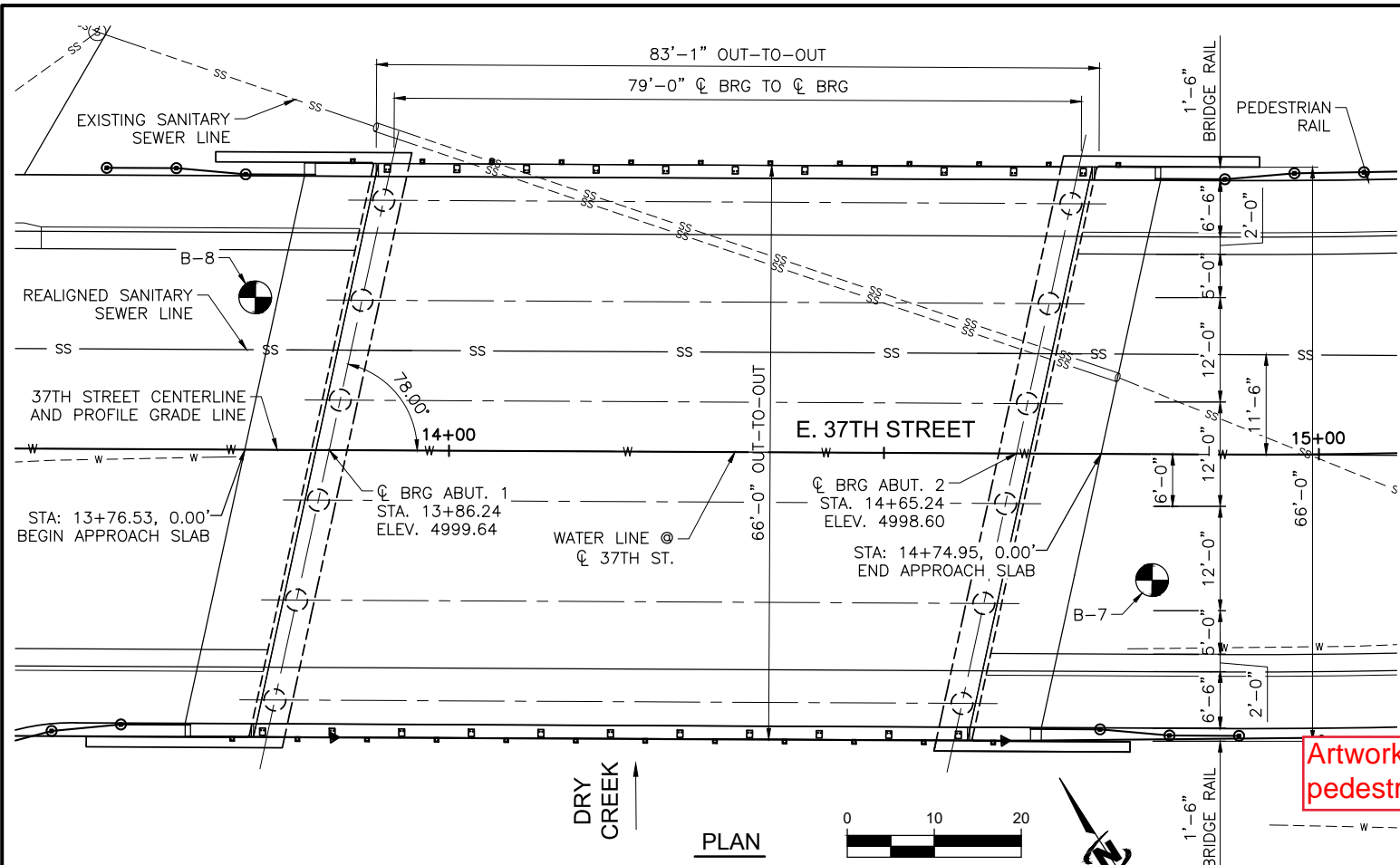


# 37th Street Connection and Monroe Avenue Roundabout

CITY OF LOVELAND, COLORADO  
Art in Public Places Program

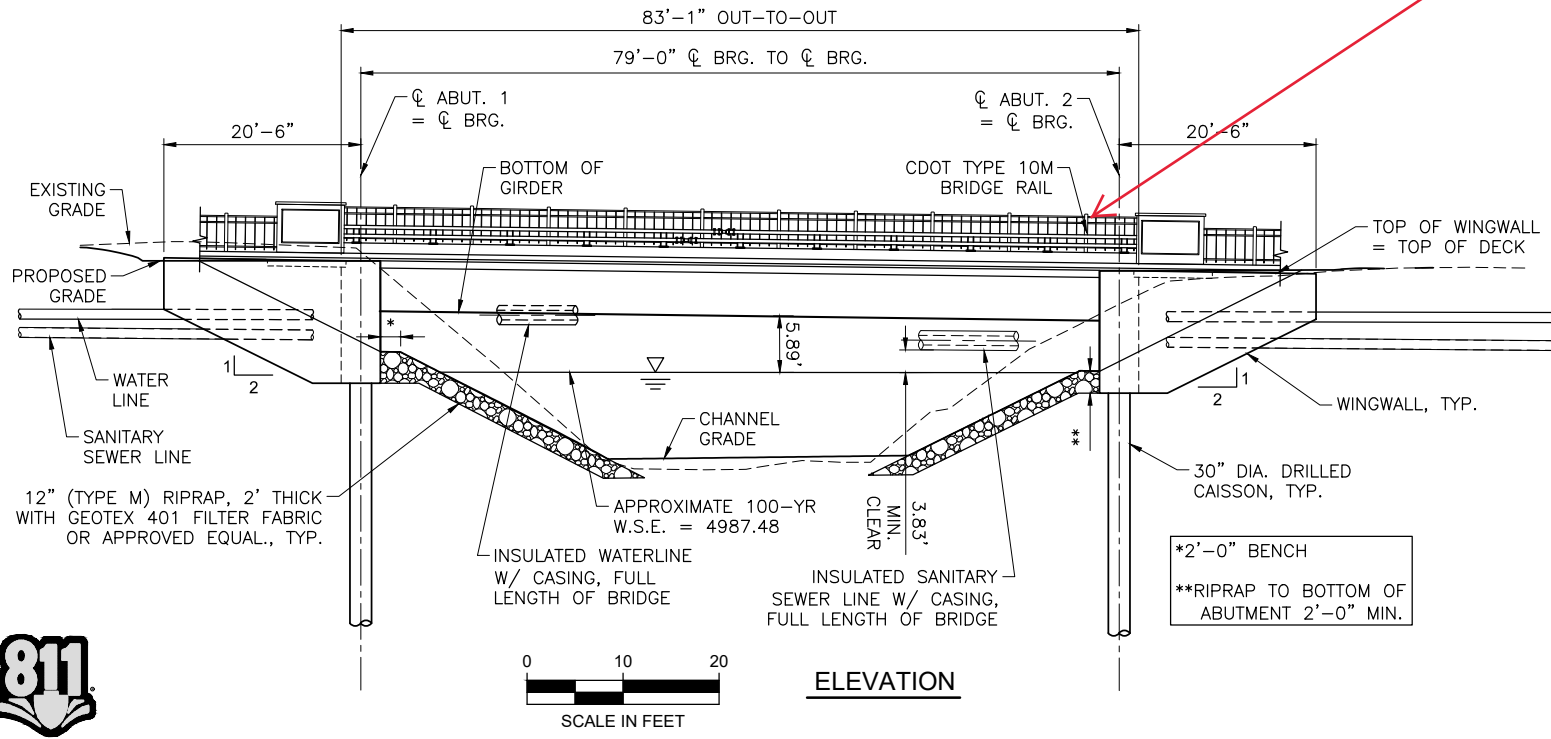




Artwork can be attached to pedestrian railing on bridge

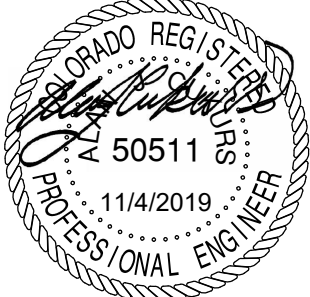
LOW PT STA: 13+74.28  
 LOW PT ELEV: 4999.80  
 PVI STA: 12+45.09  
 PVI ELEV: 5001.49  
 K: 70.00  
 LVC: 258.38

LOW PT STA: 15+73.81  
 LOW PT ELEV: 4997.79  
 PVI STA: 15+56.73  
 PVI ELEV: 4997.41  
 K: 70.00  
 LVC: 149.08



NOTE:  
 REFER TO GEOTECHNICAL REPORT ENTITLED: "SUBSURFACE EXPLORATION / PAVEMENT DESIGN REPORT" PREPARED BY EARTH ENGINEERING CONSULTANTS, LLC, DATED: MARCH 23, 2018, FOR ADDITIONAL PAVEMENT BORES AND GEOTECHNICAL INFORMATION.

WATER AND SEWER LINES SHALL BE INSULATED FOR THE FULL LENGTH OF THE CASING WITH 5 INCH THICK FIBERGLASS INSULATION ASTM C547 T1 BETWEEN THE ANNULAR SPACE OF THE WATERLINE AND THE CASING. REFER TO DRAWINGS UT-402 AND UT-405 FOR PLAN AND PROFILE. EACH END OF THE CASINGS SHALL BE WRAPPED AND Banded WITH A NEOPRENE SHEET TO PREVENT WATER FROM ENTERING THE CASING AND IS PAID FOR UNDER 619-10240 24 INCH WELDED STEEL PIPE.



Print Date: 12/20/2019  
 Scale: AS NOTED

**JUB**  
 J-U-B ENGINEERS, INC.  
 4745 Boardwalk Drive Building D, Suite 200  
 Fort Collins, CO 80525  
 Phone: 970.377.3602

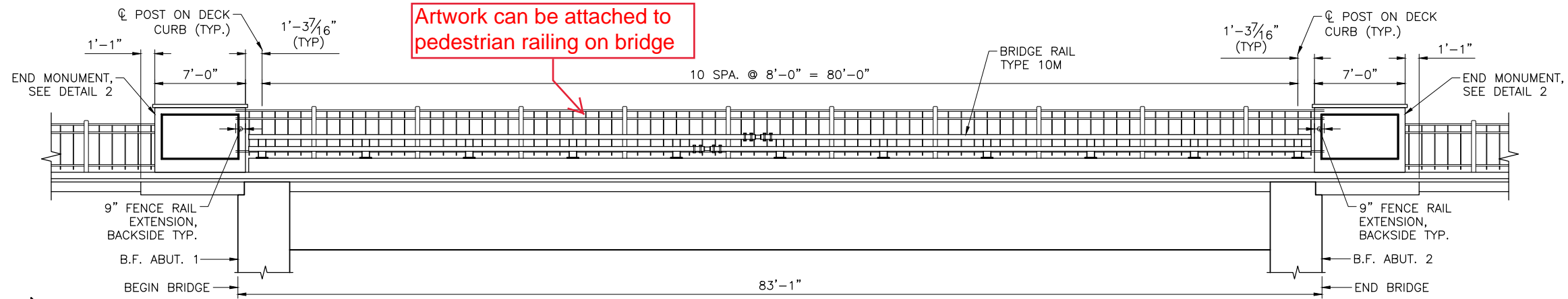
Sheet Revisions		
Date:	Comments	Init.

2525 West 1st Street  
 Loveland, CO 80537  
 Phone: (970) 962-2524  
 Fax: (970) 962-2908

As Constructed	37TH STREET CONNECTOR - PH2 GENERAL LAYOUT & TYPICAL SECTION		Project No. EN1802-PH2
No Revisions:	Designer: ACUKURS	Structure Numbers	Drawing Number S-702
Revised:	Detailer: KSMITH	Sheet Subset: STRUCTURAL	Sheet Number 32 of 81
Void:	Subset Sheets: 2 of 24		

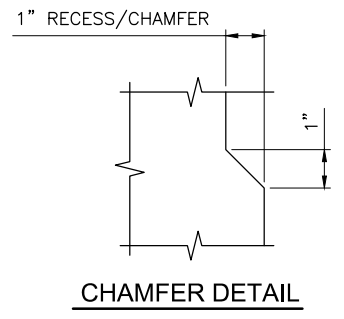
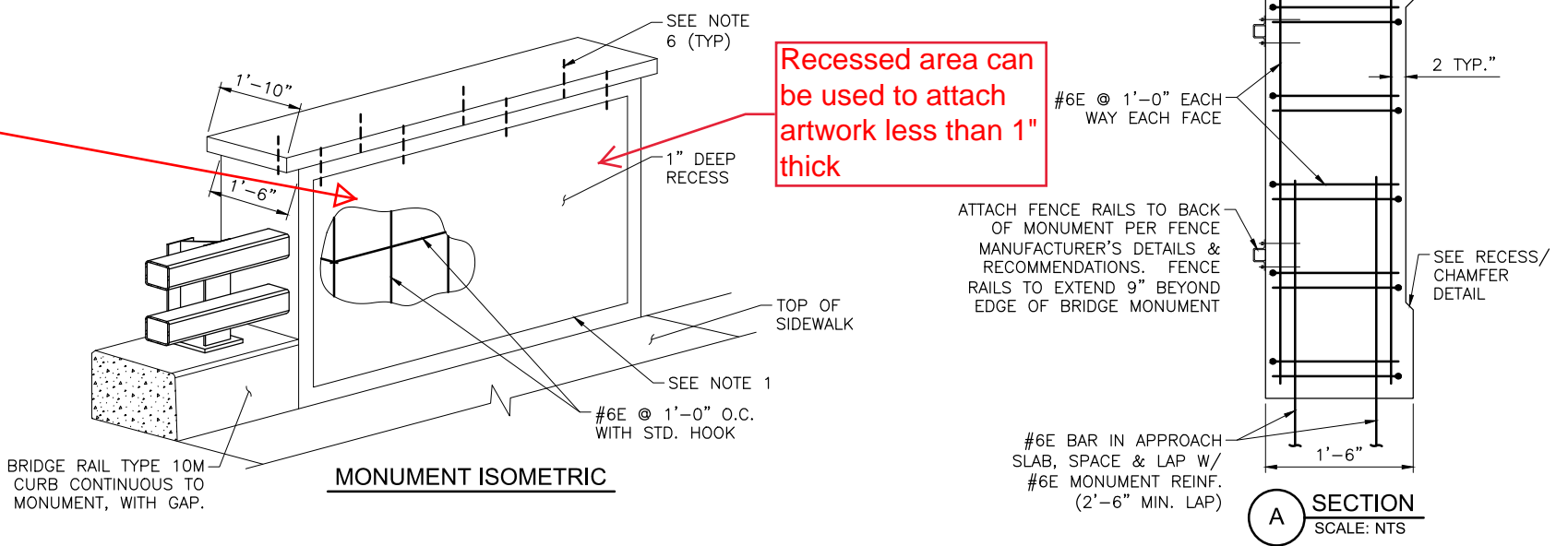
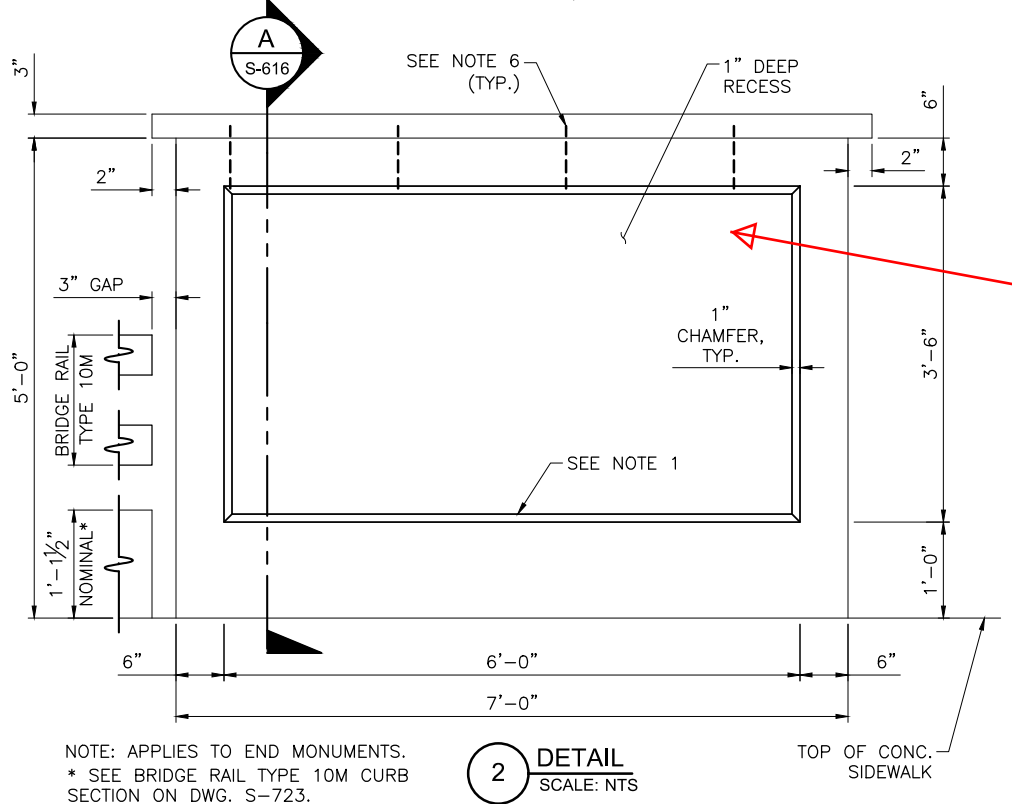
Plot Date: 12/20/2019 10:59 AM Plotted By: Kyle Ritchie  
 Date Created: 7/18/2019 Path: F:\PROJECTS\JUB\LOVELAND\87-18-001\_37TH\_ST\_CONNECTOR\_MONROE\_ROUNDABOUT\_CAD\_SHEET\PHASE 2-BRIDGE\87-18-001\_S-702.DWG

AWARD SET

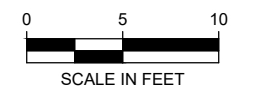


**INTERIOR RAILING ELEVATION**  
SCALE: NTS

NOTE: MONUMENT IMAGES AND TEXT TO BE PROVIDED ON INTERIOR (ROADWAY) SIDE ONLY.



- NOTES:**
1. SLOPE BASE OF MONUMENT RECESS TO DRAIN; 0.5% MIN., 1% MAX.
  2. EXTEND SLAB REINFORCEMENT THROUGH MONUMENT. MONUMENT REINFORCING TO BE #6 REBAR WITH STANDARD HOOKS AT 1'-0" SPACING, EACH WAY, ALL FACES, UNLESS NOTED OTHERWISE.
  3. CONCRETE AND REINFORCING STEEL REQUIRED FOR THE REINFORCED CONCRETE MONUMENTS ARE INCLUDED IN ITEMS 601, CONCRETE CLASS D (BRIDGE) AND 602, REINFORCING STEEL (EPOXY COATED) RESPECTIVELY.
  4. PROVIDE 2" MINIMUM CONCRETE COVER OVER REINFORCEMENT.
  5. LYONS RED SANDSTONE CAPSTONE AND IMAGE/TEXT PANELS, LYONS RED SANDSTONE VENEER, FORM LINER, DOWELS, MEDALLIONS AND GROUT SHALL BE PAID FOR AS PART OF ITEM 601 CONCRETE MONUMENT.
  6. #4 REINFORCEMENT STEEL - REINFORCEMENT STEEL SHALL EXTEND 1" OUT OF MONUMENT INTO SANDSTONE CAP. DRILL BOTTOM OF SANDSTONE CAP, 1" DEEP AND EPOXY SANDSTONE CAP. (8) EACH PER END MONUMENT. COST TO BE INCIDENTAL TO WORK.
  7. ALL STEEL REINFORCEMENT SHOWN ON THIS SHEET IS EPOXY COATED.
  8. ALL COLORS SHALL BE APPROVED BY THE ENGINEER PRIOR TO FABRICATION/INSTALLATION.
  9. SANDSTONE SHALL BE APPROVED BY THE ENGINEER PRIOR TO INSTALLATION.



Print Date: 12/20/2019  
Scale: AS NOTED

**JUB**  
J-U-B ENGINEERS, INC.  
4745 Boardwalk Drive Building D, Suite 200  
Fort Collins, CO 80525  
Phone: 970.377.3602

Sheet Revisions		
Date:	Comments	Init.

City of Loveland  
2525 West 1st Street  
Loveland, CO 80537  
Phone: (970) 962-2524  
Fax: (970) 962-2908

As Constructed	37TH STREET CONNECTOR - PH2 BRIDGE RAIL END MONUMENT		Project No. EN1802-PH2
No Revisions:	Designer: ACU KURS	Structure Numbers	Drawing Number S-724
Revised:	Detailer: KSMITH	Sheet Subset: STRUCTURAL	Sheet Number 54 of 81
Void:	Subst Sheets: 24 of 24		

Plot Date: 12/20/2019 11:03 AM Plotted By: Kyle Ritchie Date Created: 12/19/2019 Path: E:\PROJECTS\JUB\LOVELAND\87-18-001\_37TH\_ST\_CONNECTOR\_MONUMENT\_ROUNDABOUT\CAD\SHEET PHASE 2-BRIDGE\87-18-001\_S-724.DWG

AWARD SET